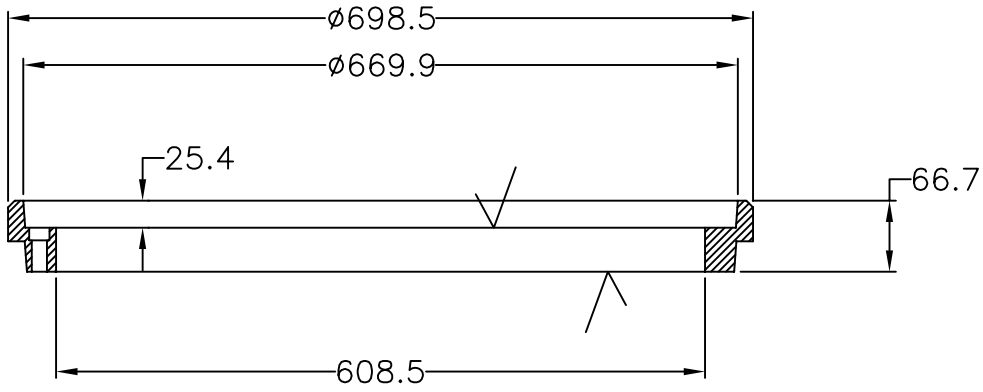



QTY 3. SLOTTED HOLES



SECTION A-A

MATERIAL:- BAINITE
 WEIGHT:- 24KG

 DOBNEY FOUNDRY LTD. SURREY B.C.	
RATING-HWY LOAD	
BAINITE RING	NO. C-724R