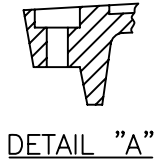
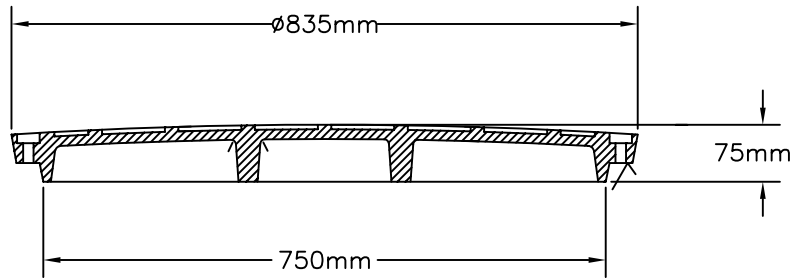
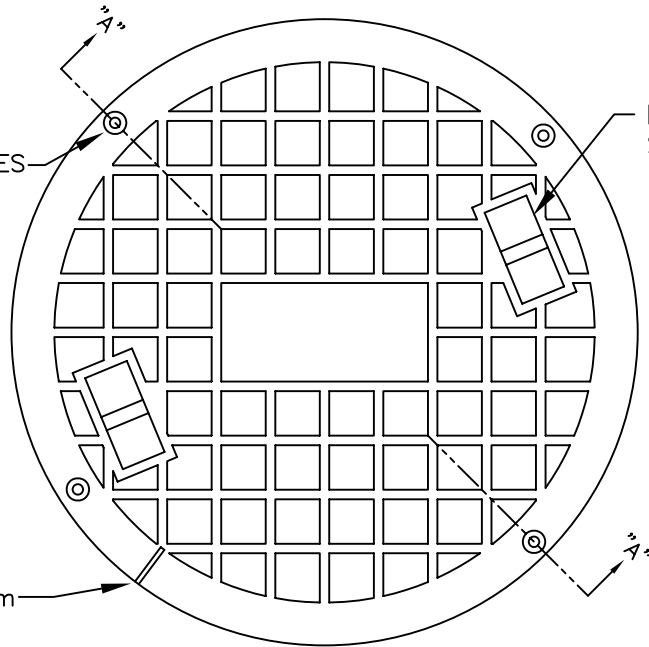


4- ϕ 16mm HOLES
SEE DETAIL "A"

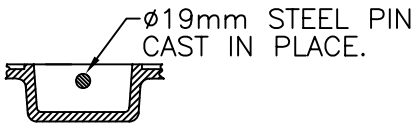
LIFTING BOX
SEE DETAIL "B"



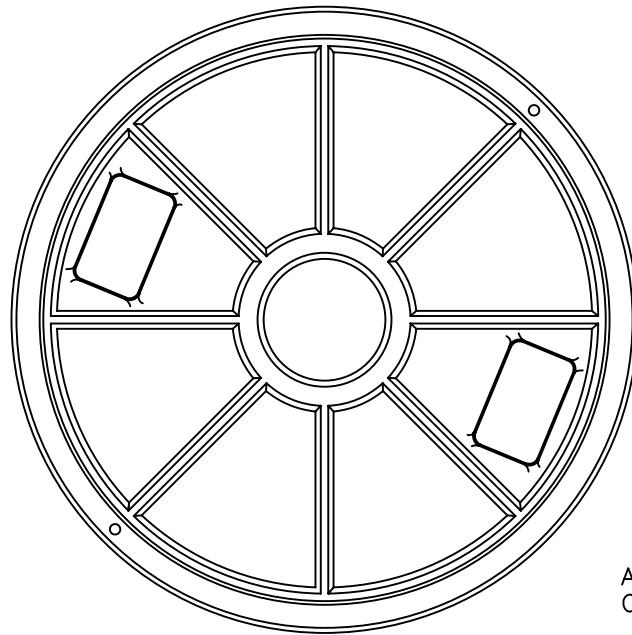
ALIGNMENT SLOT 6x6mm



SECTION A-A



DETAIL "B"



APPROX. WEIGHT
COVER 109 Kg

COMES WITH NEOPRENE GASKET



DOBNEY FOUNDRY LTD.
SURREY B.C.

RATING-HWY LOAD

MANHOLE COVER
WATER TIGHT

NO.
C-23WT